
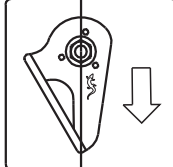
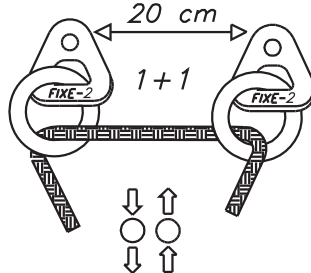

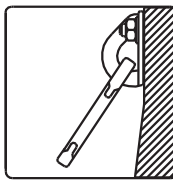



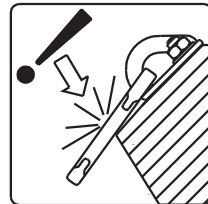

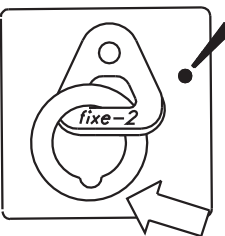
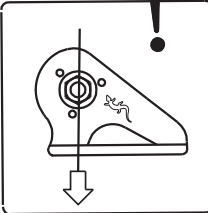


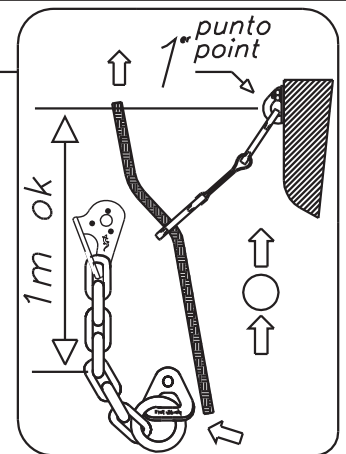


plaqueta · plaque · hanger

						<i>USO-USAGE-USE</i>	
REF	REF	ANCLAJES AMARRAGES ANCHORS	kN	kN	CONFORMITY ONLY Fe12		
	038		15	30	EN795 EN959		
013			15	25	EN795 EN959		
	040		15	22	EN795 EN959	<i>PELIGRO</i> <i>DANGER</i>	
032			15	18			
	211		15	30	EN795 EN959		
210			15	25	EN795 EN959		



plaqueta · plaquette · hanger

USO – USAGE – USE											
REF	REF	ANCLAJES AMARRAGES ANCHORS									
	038		ok	ok	ok	ok	ok	66	ok x2		
013			ok				ok	66	ok x2		
	040		ok x2	ok x2	ok x2	ok x2	ok x2	140	ok x2	ok x2	ok x2
032			ok x2				ok x2	140	ok x2	ok x2	ok x2
	211		ok x2	ok x2	ok x2	ok x2	ok x2	257	ok x2	ok x2	ok x2
210			ok x2				ok x2	257	ok x2	ok x2	ok x2